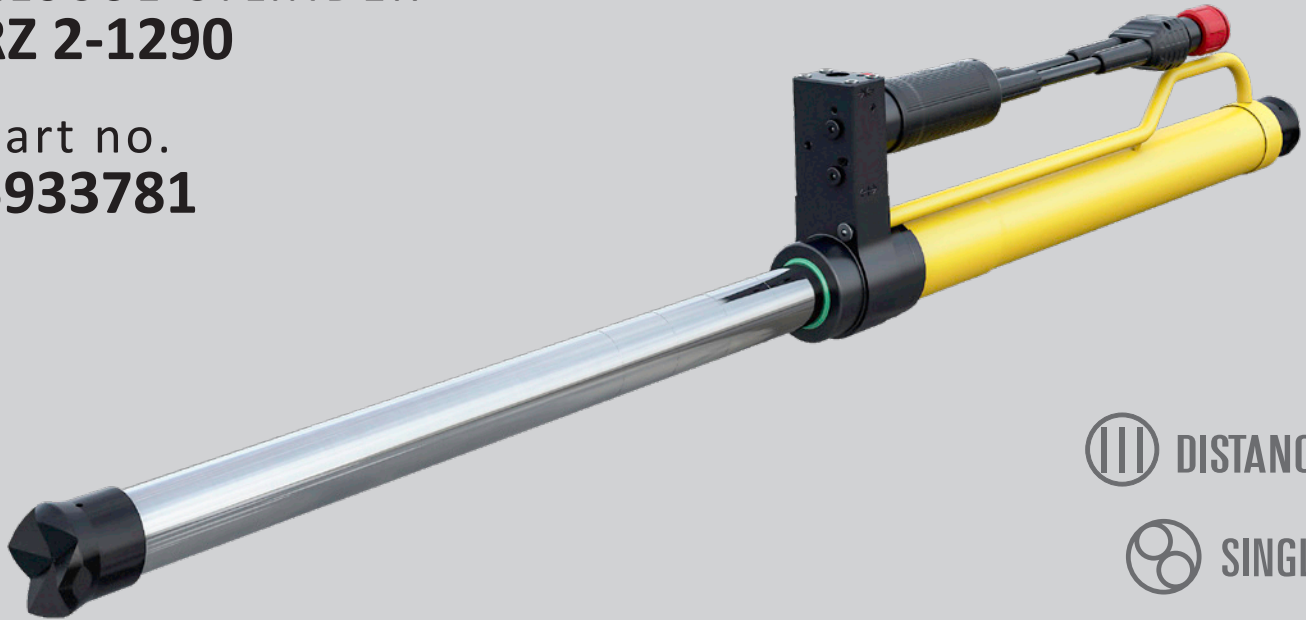


RESCUE CYLINDER RZ 2-1290

Part no.
5933781



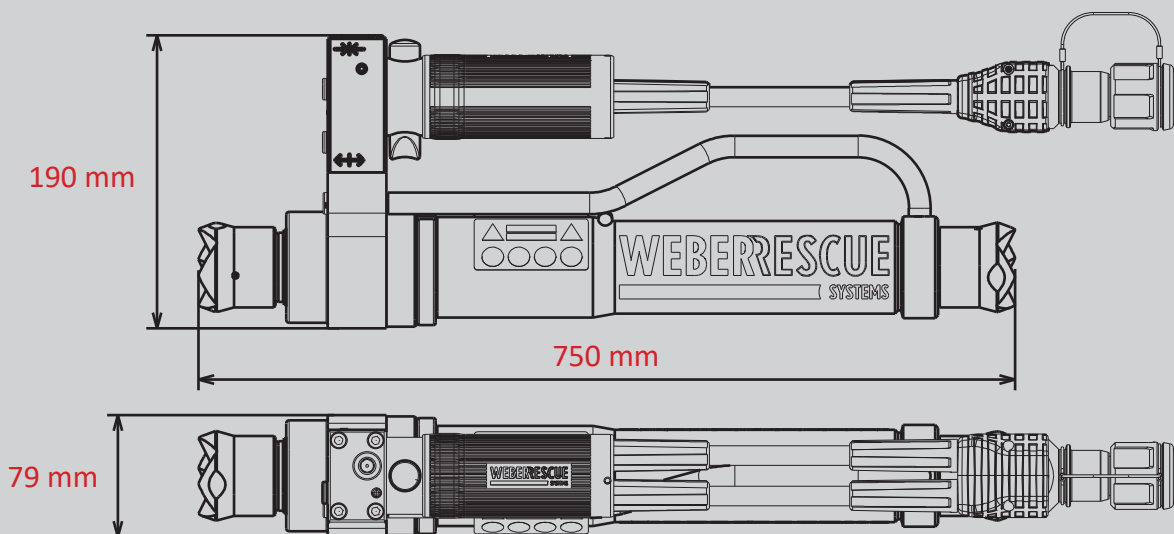
 DISTANCE

 SINGLE

 PUSH-CONTROL

Technical specifications:

Closed length (retracted)	750 mm
Final length (extended)	1290 mm
Stroke	540 mm
Force	137,4 kN
Pulling force	24,1 kN
Weight (ready for use)	16,2 kg
Oil demand	0,9 l
Dimensions (LxWxH)	750 x 190 x 79 mm
Nominal pressure	700 bar
EN classification (EN 13204)	R137-540-16,2



Images are non-binding. We reserve the right to technical modifications.
60005129 (-, -, ALL, 04.07.2019)